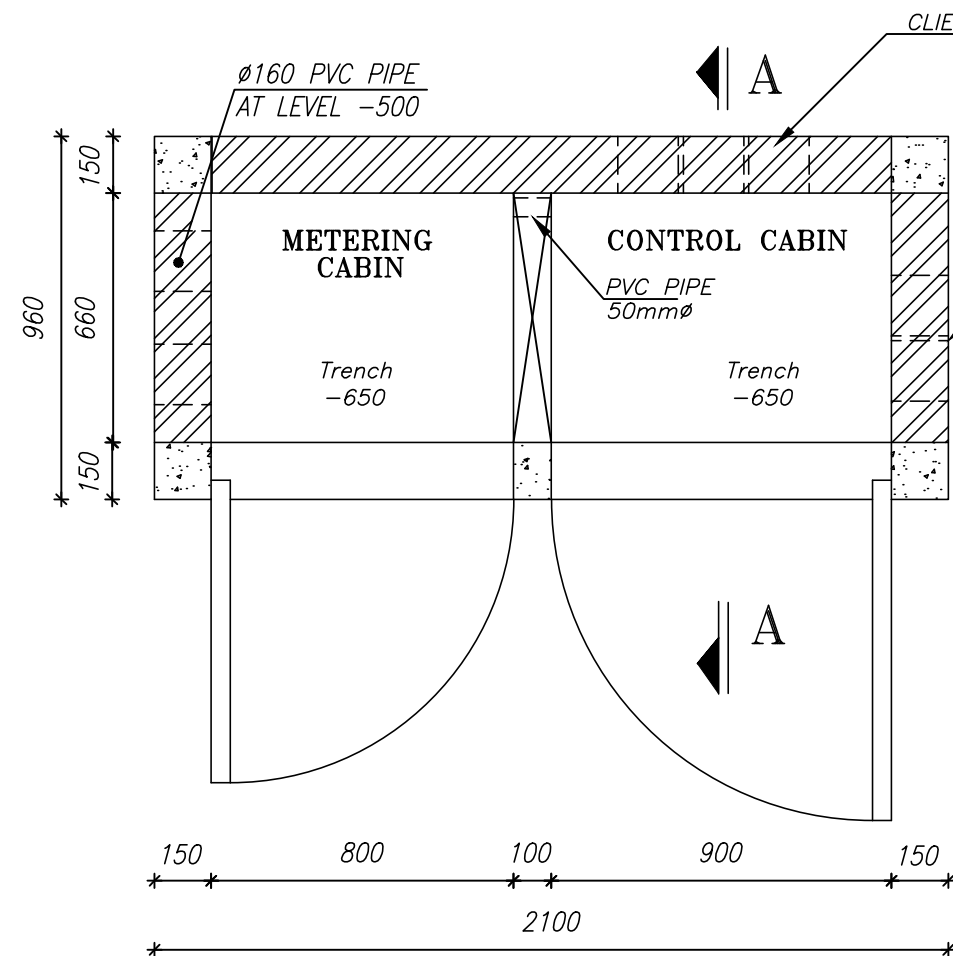


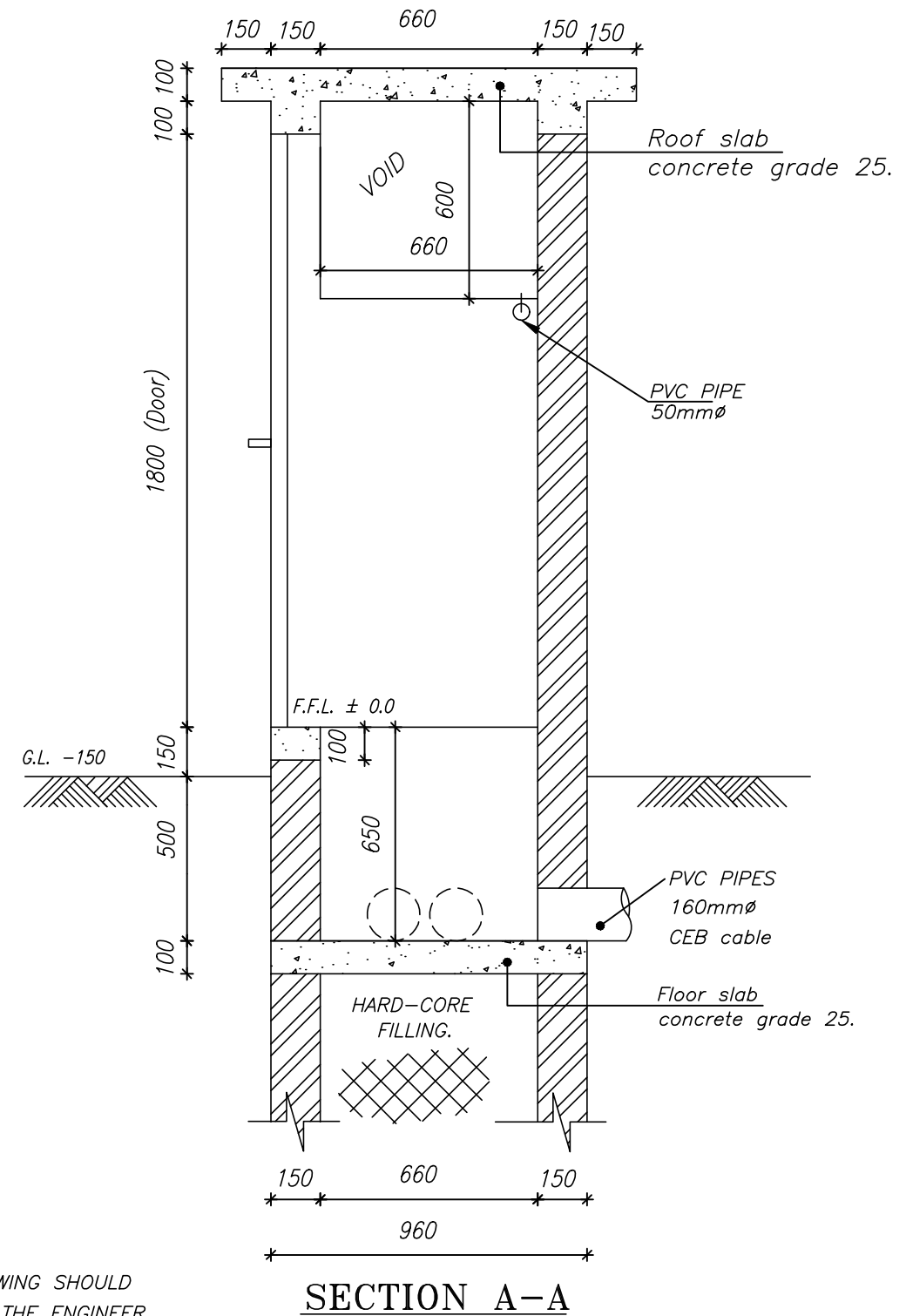
FRONT ELEVATION




LAYOUT PLAN

NOTES :

1. ALL DIMENSIONS IN mm.
2. ANY DISCREPANCY IN THE DRAWING SHOULD IMMEDIATELY BE REPORTED TO THE ENGINEER.
3. CONCRETE GRADE 25.
4. COVER TO REINFORCEMENT 25 MM.



SECTION A-A

CENTRAL ELECTRICITY BOARD			
 Central Electricity Board	Rev. A - Retraced 5348-04 on 08.01.08	Date: 15/11/04	CONTROL & METER CABIN FOR LV UG CABLE Scale: 1:20 DRAWING No. 5753-08
	Rev. B	Drawn: H.M/D.T/J.E	
	Rev. C	Chkd: m.p.n	
	Rev. D	Appd: N.J	
	Rev. E		